

3171 136cc FUN KART ASSEMBLY INSTRUCTIONS

Congratulations on the purchase of your 3171 fun kart! These instructions will guide you through the assembly process. Carefully read these instructions and familiarize yourself with the tools and fasteners required before starting the assembly of your fun kart.

Fasteners required for assembly

Please refer to the last page of instructions for a list of fasteners. Ensure that you have all the fasteners before starting the assembly of your fun kart.

Tools required for assembly

Please gather the required tools and familiarize yourself with them before starting the assembly of your fun kart. The tools will be mentioned in italic text for easy recognition.

- | | | |
|-----------------------|----------------------|--------------------|
| Hammer | Box Cutters | Pry Bar |
| Safety Glasses | Socket Wrench | 10mm Socket |
| 12mm Wrench | 14mm Wrench | 19mm Wrench |
| 8mm Socket | | |

⚠ WARNING

Wear proper eye protection during the uncrating and assembly process to avoid potential eye injuries.

⚠ WARNING

RISK OF SERIOUS INJURY OR DEATH

The Brush Bars and the Seat and Shoulder Belt are critical parts of the Operator / Passenger safety system on this kart. Do not attempt to operate the kart until these components have been properly installed.

1 Uncrating the fun kart

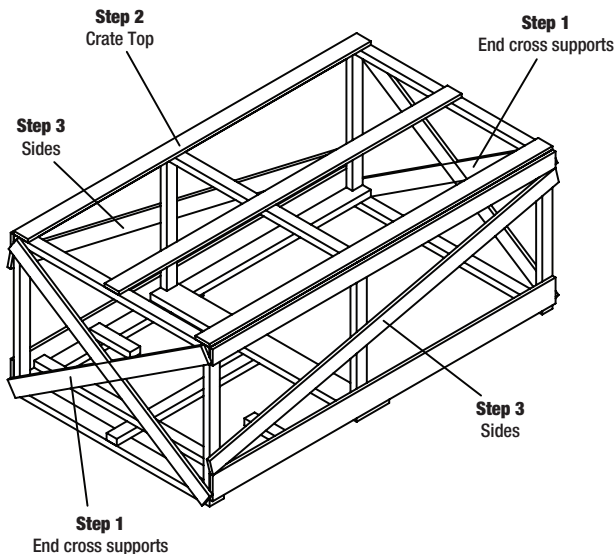
- Wear your *Safety Glasses* to prevent eye injury.
- Using the *Hammer* and *Pry Bar*, remove cross supports at each end of the crate and discard.
- Carefully pry and remove crate top and discard.

2 Remove crate sides and discard

- Using *Box Cutters*, cut and remove the hold down ties.
- Remove the kart from the crate base and discard base.

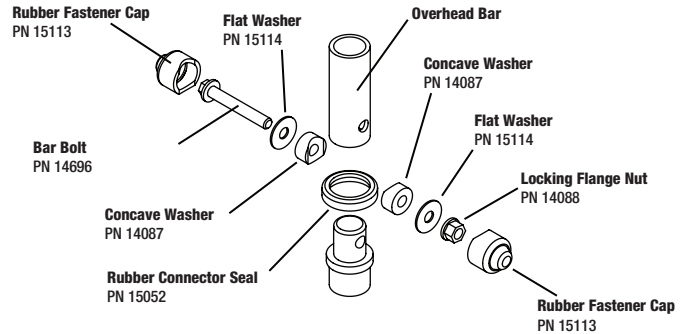
3 Unpacking the components

- Unpack all of the loose components from the unit and set aside.
- Remove protective plastic each component and discard.



4 Rubber Connector Seals

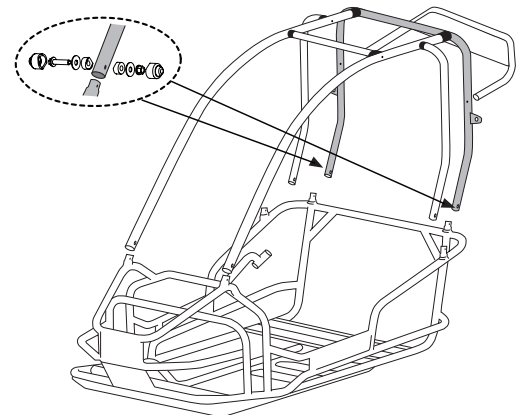
- Locate the (6) Rubber Connector Seals (PN 15052).
- Slip the connector seal on the ends of each overhead bar where it will connect to the main frame. Seals should be cupped in the downward direction so that once installed, they will slide down over the connection joint.
- Rubber Fastener Caps will be installed on all overhead bar bolts once all bars are installed and bolts tighten.



5 Rear C-Pillar Installation

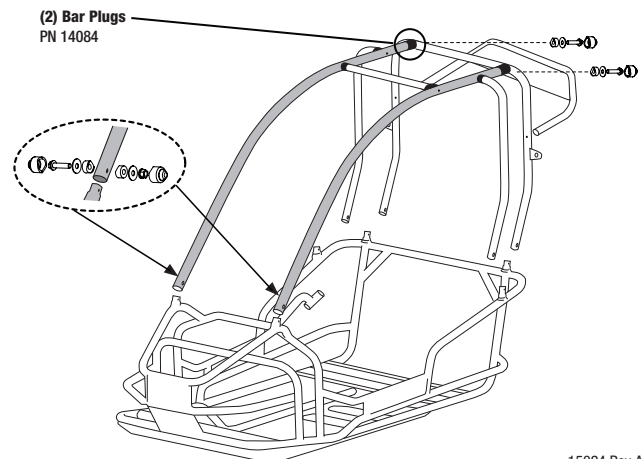
- Locate the C-Pillar assembly and fasteners: (2) 14696, (4) 14087, (4) 15113, (2) 14088 and (4) 15114.
- Set the C-Pillar assembly (shaded) in place and install the fasteners with a **12mm Wrench** and **10mm Socket Wrench**. **DO NOT tighten any fasteners at this time.**

Note: The seat belt shoulder mounts are pre-assembled to the C-Pillar.



6 Overhead Front Bar Installation

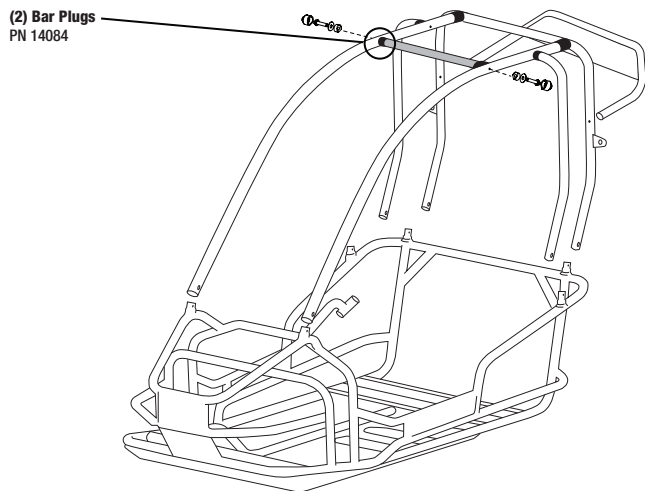
- Locate the A-Pillars and fasteners: (4) 14696, (6) 14087, (6) 15113, (2) 14088 and (6) 15114.
- Set the A-Pillars (shaded) in place and install the fasteners with a **12mm Wrench** and **10mm Socket Wrench**. **DO NOT tighten any fasteners at this time.**



3171 136cc FUN KART ASSEMBLY INSTRUCTIONS

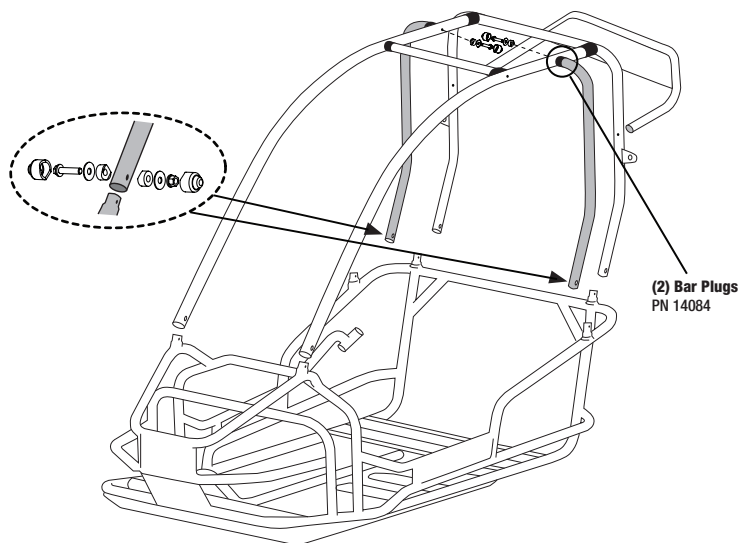
7 Overhead Cross Bar Installation

- Find the cross bar and fasteners: (2) 14696 (2) 15114 (2) 15113 and (2) 14087.
- Set the cross bar (shaded) in place and install the fasteners with a **12mm Wrench** and **10mm Socket Wrench**. **DO NOT** tighten any fasteners at this time.



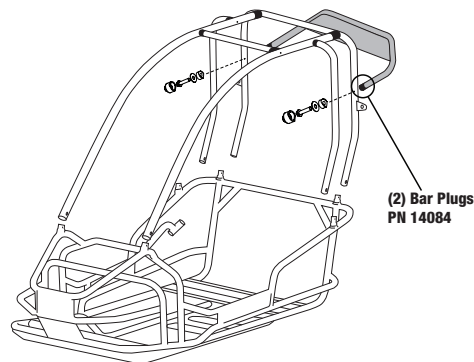
8 B-Pillar Installation

- Locate the B-Pillars and fasteners: (4) 14696, (6) 14087, (6) 15113, (2) 14088 and (6) 15114.
- Set the B-Pillars (shaded) in place and install the fasteners with a **12mm Wrench** and **10mm Socket Wrench**. **DO NOT** tighten any fasteners at this time.



9 Spoiler Installation

- Locate the spoiler and fasteners: (2) 14696, (2) 15113, (2) 14087 and (2) 15114.
- Set the spoiler (shaded) in place against the C-Pillar install fasteners with **10mm Socket Wrench**.



10 Tighten Fasteners

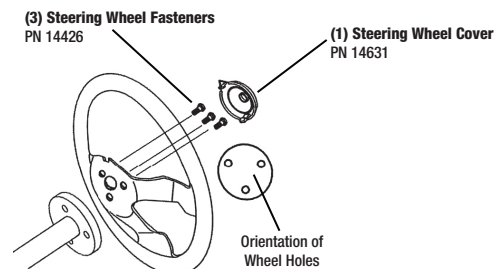
- Use a **12mm Wrench** and **10mm Socket Wrench** to tighten down **all the fasteners**, starting with step 5.

11 Safety Flag Installation

- The flag fasteners have been pre-installed onto the right rear corner of the spoiler.
- Simply loosen the plastic nut from the top side of the rack and slip the flag into place.
- Finger-tighten the plastic nut to retain the flag.

12 Steering Wheel Installation

- Locate the steering wheel and fasteners (3) 14426.
- The steering wheel has three mounting holes on it. With the front wheels aligned in the straight position, orient the steering wheel with one hole at the 6:00 position, and the other holes at 10:00 & 2:00 positions.
- Using an **8mm Socket Wrench**, install the bolts and tighten to secure the steering wheel
- Align the steering wheel cover and snap into place



Orientation of the steering wheel

Necessary Hardware

Part #	Description	Quantity
14087	Concave Washer M8	20
14426	Steering Wheel Bolt M6 x 14	3
14088	Locking Flange Nut M8 x 1.25	6
14696	Bar Bolt M8 x 1.25 x 50	14
15113	Rubber Fastener Cap	20
15114	Flat Washer M8 x 24 x 1.25	20
14084	Bar plug	8
15052	Rubber Connector Seal	6
14631	Steering Wheel Cover	1

13 Final Preparation

- Fill the fuel tank with clean, fresh **mid grade gasoline (89 octane or higher)**.
- Check the engine oil level per the supplied Owner/Operator manual.
- Refer to the supplied Owner/Operator manual prior to operating your new Fun Kart.