



Premium+

Chick-N-Pen

Assembly Instructions

Item #01464

Revised: 04.06.16

A 8-Wood Screws: 1 3/4"

B 22-Wood Screws: 1/2"
Hardware Part #901031

Tools Required:
Standard Screwdriver

Left Side Panel #900291

Right Side Panel #900292

Top Panel #900293

Floor Brace Board #900294

Front Panel #900295

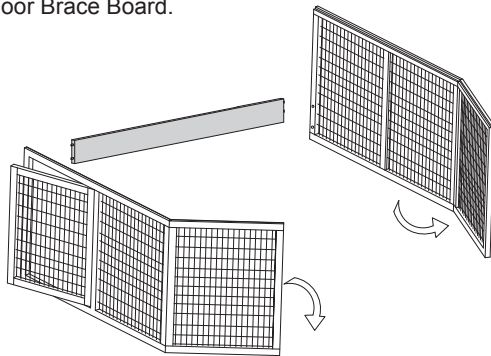
Holding Clip 2x #900296

Hook 2x #900297

Bolt Latch x3 #901023

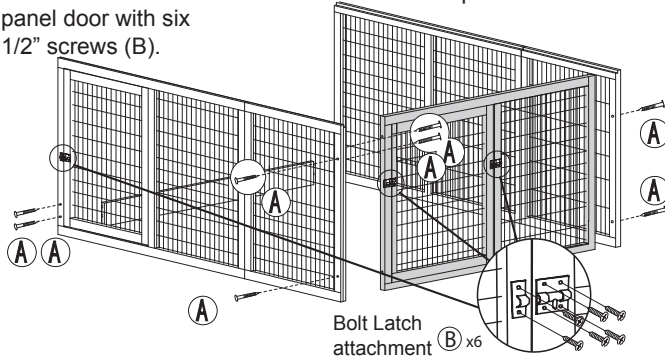
STEP 1

Spread out the Left and Right Side Panels, and attach the Floor Brace Board.



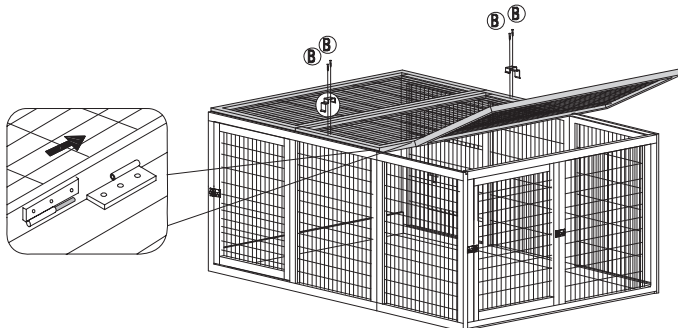
STEP 2

Attach the Front Panel by using eight 1 3/4" Wood Screws (A). Add a bolt latch to each side of the front door panel and left side panel door with six 1/2" screws (B).



STEP 3

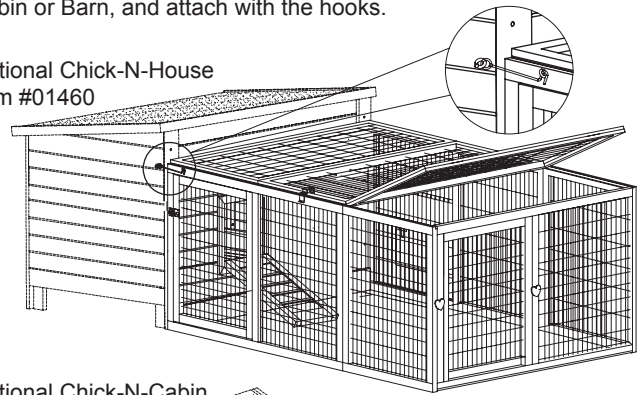
Attach the Top Panel by using four 1/2" Wood Screws (B). Set and lock the Top Panel with the Holding Clips.



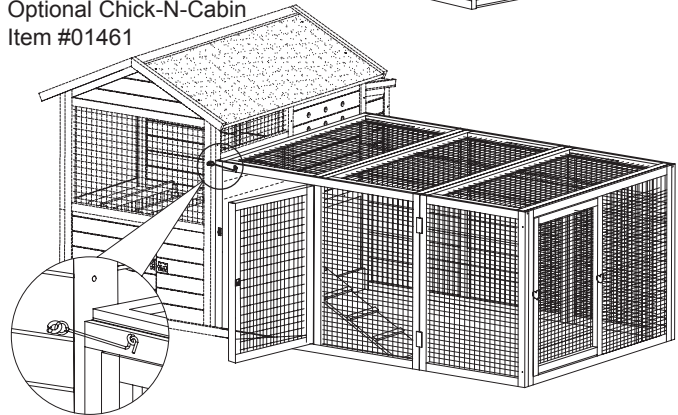
STEP 4

The Chick-N-Pen easily attaches to these specified items to expand living space. Align the assembled pen with the House, Cabin or Barn, and attach with the hooks.

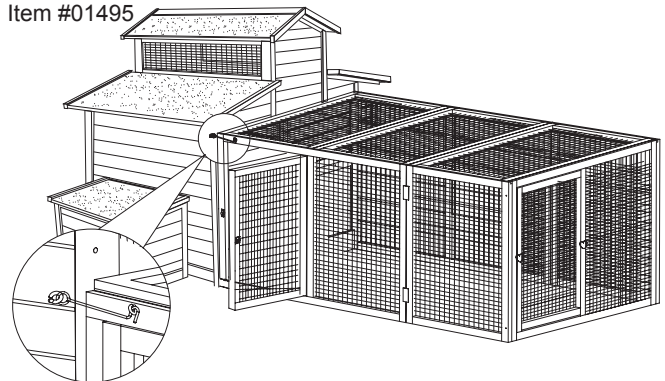
Optional Chick-N-House
Item #01460



Optional Chick-N-Cabin
Item #01461



Optional Chick-N-Barn
Item #01495



If you have any questions or concerns about this product, contact our customer service department at 1-800-295-2243 or cs@waremgfinc.com and we will help you with any problems, Mon-Fri 8:00-4:00 MST