

### SAFETY WARNINGS



**BEFORE OPERATING OR INSTALLING THIS PUMP, READ THIS MANUAL AND FOLLOW ALL SAFETY WARNINGS AND OPERATING INSTRUCTIONS.**

**WARNING:** Carefully read the safety messages in this manual and on the pump. Keep this manual with the pump at all times.

**ATTENTION: RENTAL COMPANIES AND PRIVATE OWNERS WHO RENT OR LEND THIS WATER PUMP TO OTHERS!**

All persons to whom you rent or lend this pump must have access to and read this owner's manual. Keep this manual with the pump at all times and advise all persons who will operate the pump to read it. You must also provide personal instruction on how to safely operate the pump, and you must be available to answer any questions that the renter or borrower might have.

**WARNING:** When running, the engine on this pump produces carbon monoxide, an odorless, colorless, poison gas. Breathing carbon monoxide can cause nausea, fainting, or death.

- Operate this pump **ONLY** outdoors.
- Keep exhaust gas from entering a confined area through windows, doors, ventilation intakes, or other openings.



- Do not operate the pump inside any building, confined area, or enclosure such as basements, garages, or similar locations, even if doors and windows are open
- Make sure all connections are tight.
- Never use with flammable fluids.
- Turn off engine before servicing.
- If fuel is spilled, avoid creating any source of ignition until the fuel vapors have been cleaned up and removed.
- Review instructions before operating.
- Wear ear protection to reduce objectionable noise.

**CAUTION: DO NOT OPERATE THIS PUMP DRY!**

### APPLICATION

Use this pump for water only, where the vertical suction head from the water level is 25 ft. (8m) or less. Head refers to the height of a column of water that can be delivered by the discharge of the pump (Figure 1). Suction head (or suction lift) is the vertical distance between the center of the pump and the surface of the liquid on the suction side of the pump. Discharge head is the vertical distance between the pump's discharge port and the point of discharge. Total head is

the sum of the suction head and the discharge head. The elevation above sea level and friction losses must be taken into consideration. **CAUTION: Do not operate this pump dry. Water is required to lubricate pump seal.** This pump has been tested and operated under actual working conditions. Engine, pump, and all accessories were found satisfactory. If the pump is not performing as specified, check **INSTALLATION** and **TROUBLESHOOTING** sections carefully.

### INSTALLATION

- LOCATION:** For permanent installation, put the pump in a clean, dry, and ventilated place (Figure 1).  
**Keep the suction line as short as possible.** This will allow the pump to operate at maximum performance and to ensure that the casing does not overheat due to the absence of water.
- MOUNTING:** Mount the pump on a rigid foundation to eliminate creeping due to vibration.
- SUCTION LINE:** Use a suction line the same size as the suction on the pump. If the suction pipe is long, increase it by one size to improve flow. Slope the suction line upwards to the pump to avoid air pockets in the line and hard priming.
- SUCTION PIPE:** Use thread compound on all pipe joints. Connections must be tight, and pipe should be clean and uncorroded.
- SUCTION HOSE:** If the suction line runs generally vertical, use an elbow on the hose to prevent kinking. Use double clamps on all hose joints. Connections must be tight, and a suction strainer is required to filter abrasive material.  
**NOTE:** If you use the pump for dewatering, attach a suction screen to the suction line.  
**NOTE:** The main cause of pumping problems is a leak in the suction line. Even a tiny leak reduces priming and pumping greatly.

## OPERATION

**⚠ CAUTION: DO NOT RUN THE PUMP BEFORE PRIMING IT. THE SEAL AND IMPELLER COULD BE PERMANENTLY DAMAGED.**

- a) **PREPARING THE ENGINE:** Follow the engine manufacturer's instructions before operating.
- b) **PRIMING THE PUMP:** Remove the priming plug, fill the casing with water until full, and replace the plug. If the pump is below the level of the water that will be pumped (flooded suction), the pump will automatically fill up when the valves are open.
- ⚠ CAUTION: DO NOT OPERATE THIS PUMP DRY!**
- c) **START-UP:** Start the pump. In a flooded suction situation, the pump will discharge the water almost immediately. If the suction

line is above the water level being pumped, it will take a few minutes to lift the water to the casing and then to discharge it. If the suction line is quite long, the pump may overheat before the water in the suction line reaches the pump. In this case, turn the pump off and drain the casing. Wait a few minutes for the seal in the pump casing to cool down. **CAUTION:** If the overheated casing is filled while hot, damage to the seal will occur. Replace the drain plug and refill the casing with water. Replace the priming plug and restart the pump.

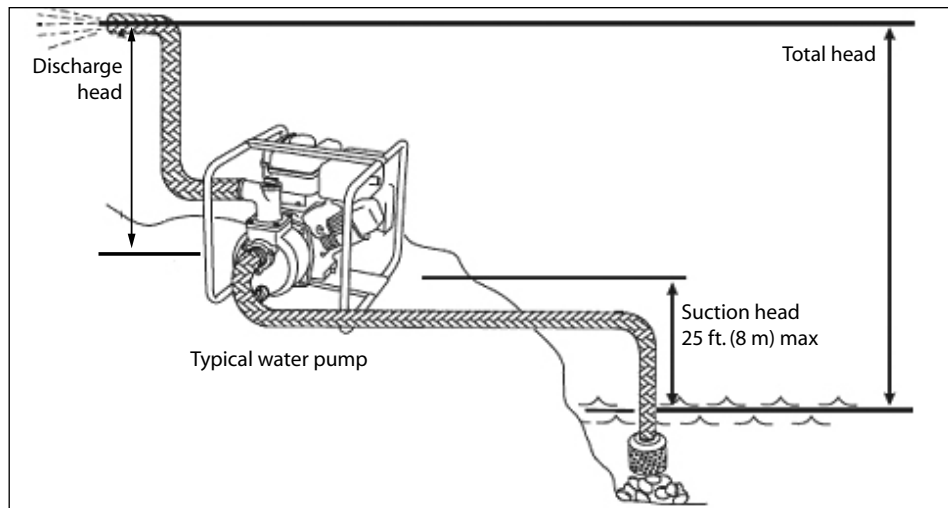


FIGURE 1

## TROUBLESHOOTING

PROBLEMS	CAUSES	SOLUTIONS
<b>Pump will not pump</b>	Air leak in suction line.	Make sure suction hose is double clamped at joints, clamps are tight, fittings have thread compound and are tight, with no nicks or cuts in hose.
	The suction and/or discharge line(s) may be blocked, or the valve(s) are closed, faulty and/or blocked.	Check to see that the lines and valves are in good working order.
	The end of the suction line is not submerged.	Increase its length, or move pump closer to source of liquid.
	Total head is too high for this pump to work against.	Reduce total head or use a higher head pump.
<b>Pump will not prime</b>	Excessive suction lift (*1).	Move the pump closer to liquid source.
<b>Priming takes a long time</b>	Suction line is quite long.	Refer to START-UP under OPERATION.
	Air pockets or leaks in the suction line.	Check the line for loose connections.
<b>Pump does not perform as well as it should</b>	Flow is restricted due to: a) Debris build-up. b) Faulty or semi-open valve(s). c) Pipe or hose used is smaller than the thread sizes on the pump.	a) Clean the lines and fittings. b) Check to see that the valves are in good working order. c) Increase the size of hose or pipe to reduce friction losses.
	Insufficient submergence of the end of suction line.	The end of the suction line must be submerged.
	Excessively worn impeller (*2).	Replace impeller.
	Seal is damaged (*3). Liquid will be leaking through the middle of the adapter.	Replace the seal.
	Air pockets or leaks in the suction line.	Check suction line.
	Clogged impeller.	Remove casing to clean out.
<b>Pump loses prime</b>	Water level drops below the end of the suction line.	Increase length of suction line or move the pump closer to the water source.
<b>Pump will not start</b>	No fuel.	Add fuel.
	Faulty spark plug.	Replace spark plug.
<b>Pump will not start, or starts but runs roughly</b>	Low oil level.	Fill crank case to the proper level. Place pump on a flat, level surface.
	Choke in wrong position.	Adjust choke.
	Spark plug wire loose.	Attach wire to spark plug.
<b>Pump shuts down during operation</b>	No fuel.	Add fuel.
	Low oil level.	Fill crank case to the proper level. Place pump on a flat, level surface.

\*1) Excessive suction lift must take into consideration:

- a) Size and length of pipe
- b) Pipe fitting
- c) Elevation above sea level

Including all of the above, we recommend that the total suction head not exceed 25 ft.

\*2) An excessively worn impeller is mainly caused from cavitation, which is caused by a number of situations, such as:

- a) Restricted suction
- b) Excessive suction lift

\*3) The seal may be damaged due to:

- a) Normal wear
- b) Overheating
- c) Pumping chemicals that this seal is not designed for.

Contact an authorized service depot for further assistance.

## MAINTENANCE

- a) **ENGINE:** Refer to the engine manufacturer's instructions for any maintenance requirements.
- b) **DRAINING:** If the pump is subject to freezing temperatures, drain it by removing the drain plug and priming plug. After the water

has drained, run the pump for a few seconds to get the last of the water out of the casing. Make sure the suction and discharge lines are free of water.

 **WARNING:**

Store the pump in a well-ventilated area, away from heat, flame, or sparks.

## LIMITED WARRANTY

For warranty consideration, the Red Lion brand (hereafter "the Brand") warrants that the products specified in this warranty are free from defects in material or workmanship of the Brand. During the time periods and subject to the terms and conditions hereinafter set forth, the Brand will repair or replace to the original user or consumer any portion of this product which proves defective due to materials or workmanship of the Brand. At all times the Brand shall have and possess the sole right and option to determine whether to repair or replace defective equipment, parts, or components. The Brand has the option to inspect any product returned under warranty to confirm that the warranty applies before repair or replacement under warranty is approved. This warranty sets forth the Brand's sole obligation and purchaser's exclusive remedy for defective product. Return defective product to the place of purchase for warranty consideration.

**WARRANTY PERIOD - PRODUCTS:** 12 months from date of purchase by the user. (No warranty on brushes, impeller or cam on models with brush-type motors and/or flex-vane impellers.) In the absence of suitable proof of the purchase date, the effective period of this warranty will begin on the product's date of manufacture.

**WARRANTY PERIOD – EMISSIONS CONTROL SYSTEM:** 24 months from date of purchase by the user. Please refer to the engine manufacturer's owner's manual for details regarding the emissions control system warranty (ECS Warranty).

**LABOR, ETC. COSTS:** The Brand shall IN NO EVENT be responsible or liable for the cost of field labor or other charges incurred by any customer in removing and/or affixing any product, part, or component thereof.

**PRODUCT IMPROVEMENTS:** The Brand reserves the right to change or improve its products or any portions thereof without being obligated to provide such a change or improvement for units sold and/or shipped prior to such change or improvement.

**GENERAL TERMS AND CONDITIONS:** This warranty shall not apply to damage due to acts of God, normal wear and tear, normal maintenance services and the parts used in connection with such service, lightning or conditions beyond the control of the Brand, nor shall it apply to products which, in the sole judgment of the Brand, have been subject to negligence, abuse, accident, misapplication, tampering, alteration; nor due to improper installation, operation, maintenance or storage; nor to excess of recommended maximums as set forth in the instructions.

Warranty will be VOID if any of the following conditions are found:

1. Product is used for purposes other than those for which it was designed and manufactured
2. Product not installed in accordance with applicable codes, ordinances, and good trade practices
3. Product connected to voltage other than indicated on nameplate
4. Pump used to circulate anything other than fresh water at approximately room temperature
5. Pump allowed to operate dry (fluid supply cut off)
6. Sealed motor housing opened or product dismantled by customer
7. Cord cut off to a length less than three feet

**DISCLAIMER:** Any oral statements about the product made by the seller, the Brand, the representatives, or any other parties do not constitute warranties, shall not be relied upon by the user, and are not part of the contract for sale. Seller's and the Brand's only obligation, and buyer's only remedy, shall be the replacement and/or repair by the Brand of the product as described above. **NEITHER SELLER NOR THE BRAND SHALL BE LIABLE FOR ANY INJURY, LOSS OR DAMAGE, DIRECT, INCIDENTAL OR CONSEQUENTIAL (INCLUDING, BUT NOT LIMITED TO, INCIDENTAL OR CONSEQUENTIAL DAMAGES FOR LOST PROFITS, LOST SALES, INJURY TO PERSON OR PROPERTY, OR ANY OTHER INCIDENTAL OR CONSEQUENTIAL LOSS), ARISING OUT OF THE USE OR THE INABILITY TO USE THE PRODUCT, AND THE USER AGREES THAT NO OTHER REMEDY SHALL BE AVAILABLE TO IT.** Before using, the user shall determine the suitability of the product for his intended use, and user assumes all risk and liability whatsoever in connection therewith. **THE WARRANTY AND REMEDY DESCRIBED IN THIS LIMITED WARRANTY IS AN EXCLUSIVE WARRANTY AND REMEDY AND IS IN LIEU OF ANY OTHER WARRANTY OR REMEDY, EXPRESSED OR IMPLIED, WHICH OTHER WARRANTIES AND REMEDIES ARE HEREBY EXPRESSLY EXCLUDED, INCLUDING BUT NOT LIMITED TO ANY IMPLIED WARRANTY OF MERCHANTABILITY OR FITNESS FOR A PARTICULAR PURPOSE, TO THE EXTENT EITHER APPLIES TO A PRODUCT SHALL BE LIMITED IN DURATION TO THE PERIODS OF THE EXPRESSED WARRANTIES GIVEN ABOVE.** Some states and countries do not allow the exclusion or limitations on how long an implied warranty lasts or the exclusion or limitation of incidental or consequential damages, so the above exclusion or limitations may not apply to you. This warranty gives you specific legal rights, and you may also have other rights which vary from state to state and country to country.

### United States:

301 North MacArthur Boulevard  
Oklahoma City, Oklahoma 73127

### Canada:

#101 - 310 De Baets Street  
Winnipeg, Manitoba  
R2J 0H4

Phone: (800) 621-7264

Fax: (204) 255-5214

E-mail: [wts-orders@fele.com](mailto:wts-orders@fele.com)

[www.redlionproducts.com](http://www.redlionproducts.com)

**RED LION**



### ⚠ CONSIGNES DE SÉCURITÉ



**AVANT D'INSTALLER OU D'UTILISER CETTE POMPE, PRIÈRE DE LIRE LE PRÉSENT GUIDE ET SUIVRE TOUTES LES RÈGLES DE SÉCURITÉ ET INSTRUCTIONS D'UTILISATION.**

**⚠ AVERTISSEMENT** : Lire attentivement les avis de sécurité se trouvant dans le présent manuel et sur la pompe. Conserver ce manuel avec la pompe en tout temps.

**⚠ ATTENTION** : ENTREPRISES DE LOCATION ET PROPRIÉTAIRES PRIVÉS QUI LOUEZ CETTE POMPE À EAU À D'AUTRES UTILISATEURS !

Toutes les personnes à qui cette pompe est louée ou prêtée doivent avoir accès et lire ce manuel de l'utilisateur. Conserver ce manuel avec la pompe en tout temps et aviser tout utilisateur de cette pompe de lire ce manuel. Il vous incombe également de fournir des instructions personnelles sur l'utilisation sécuritaire de la pompe et d'être prêt à répondre à toute question que pourrait poser la personne qui loue ou emprunte la pompe.

**⚠ AVERTISSEMENT** : Lorsqu'il fonctionne, le moteur de cette pompe produit du monoxyde de carbone, un gaz toxique sans odeur et sans couleur. L'inhalation de monoxyde de carbone peut causer des nausées, un évanouissement ou la mort.

- Utiliser cette pompe à l'extérieur SEULEMENT.
- Empêcher les gaz d'échappement de pénétrer dans une zone confinée, que ce soit par des fenêtres, des portes, des bouches de ventilation ou par toute autre ouverture.



- Ne pas utiliser la pompe à l'intérieur d'un édifice, d'une zone confinée ou fermée comme des sous-sols, des garages ou d'autres emplacements similaires, même si les portes et les fenêtres sont ouvertes.
- S'assurer que tous les raccords sont bien serrés.
- Ne jamais utiliser de liquides inflammables.
- Couper le fonctionnement du moteur avant d'effectuer l'entretien.
- Si du carburant est renversé, éviter de créer une source d'inflammation jusqu'à la disparition des vapeurs.
- Passez les instructions en revue avant d'utiliser la pompe.
- Porter un appareil de protection acoustique afin de réduire les effets du bruit.

**⚠ MISE EN GARDE** : NE PAS FAIRE FONCTIONNER CETTE POMPE À SEC!

### UTILISATION

Utilisez ces pompes pour l'eau seulement, quand la succion verticale à partir du niveau du liquide est de 8 m (25 pi.) ou moins. La hauteur de charge se rapporte à la hauteur d'une colonne d'eau pouvant être produite par l'évacuation de la pompe. La hauteur totale de charge à l'aspiration est la distance verticale entre le centre de la pompe et la surface du liquide sur le côté aspiration de la pompe. La hauteur de refoulement est la distance verticale entre l'orifice d'évacuation de la pompe et le point d'évacuation. La hauteur totale de charge est la

somme de la hauteur totale de charge à l'aspiration et de la hauteur de refoulement. Il faut également tenir compte de l'élévation au-dessus du niveau de la mer et des pertes dues au frottement. **MISE EN GARDE** : Ne pas faire fonctionner la pompe à vide. L'eau est requise pour lubrifier le joint étanche de la pompe. Le fonctionnement de la pompe a été vérifié dans des conditions de travail réelles. Le moteur, la pompe et tous les accessoires ont été jugés satisfaisants. Si la pompe ne fournit pas le rendement indiqué, vérifier l'installation et suivre soigneusement les instructions et le guide de dépannage.

### INSTALLATION

- EMPLACEMENT** : En cas d'installation permanente placer la pompe dans un endroit propre, sec et aéré. **La longueur de la conduite d'aspiration doit être réduite au minimum afin de permettre un débit maximum.** Conserver le conduit d'alimentation aussi court que possible permettra à la pompe de fonctionner à sa performance maximale et d'assurer que le carter ne devient pas surchauffé en raison de l'absence de l'eau (Figure 1).
- MONTAGE** : Fixer la pompe sur une base rigide pour éliminer le déplacement dû à la vibration.
- CONDUITE D'ASPIRATION** : Utiliser une conduite d'aspiration de même dimension que l'orifice d'aspiration de la pompe. Si la conduite est longue, augmenter d'une unité pour améliorer le débit. La conduite doit toujours remonter vers la pompe pour éviter la présence de poches d'air dans la conduite et faciliter l'amorçage.

- TUYAU D'ASPIRATION** : Enduire d'une graisse lubrifiante à joint fileté tous les joints du tuyau. Bien serrer tous les raccords. Il est recommandé d'utiliser des tuyaux propres et non corrodés. Une écumoire de succion est requise pour filtrer les matériaux abrasifs.
- BOYAU D'ASPIRATION** : En cas de pompage vertical, ajouter un coude pour éviter la torsion du boyau. Utiliser des colliers de serrage doubles sur tous les joints du boyau. Bien serrer tous les raccords.
 

**NOTE** : Si vous utilisez la pompe pour des travaux d'assèchement, raccorder un clapet de pied à l'extrémité de la conduite d'aspiration.

**NOTE** : La cause principale des problèmes de pompage est due à une fuite dans la conduite d'aspiration. Même une fuite minime réduit considérablement l'amorçage et le pompage.

## FONCTIONNEMENT

**⚠ MISE EN GARDE : DE NE PAS FAIRE FONCTIONNER LA POMPE À SEC AVANT L'AMORÇAGE, SINON LE JOINT D'ÉTANCHÉITÉ ET LA ROUE DE TURBINE SERAIENT ENDOMMAGÉS DE FAÇON PERMANENTE.**

- a) **PRÉPARATION DU MOTEUR :** Suivre les instructions du fabricant avant de mettre le moteur en marche.
- b) **AMORÇAGE DE LA POMPE :** Retirez le bouchon d'amorçage et remplissez complètement le carter d'eau, puis reboucher. Si la pompe est sous le niveau de l'eau qui sera pompée (suction inondée), la pompe se remplit automatiquement quand les valves sont ouvertes et le moteur peut donc être mis en marche.
- ⚠ **MISE EN GARDE : NE PAS FAIRE FONCTIONNER CETTE POMPE À SEC!**
- c) **DÉMARRAGE :** Démarrez la pompe. Lorsque l'aspiration est « noyée », la pompe évacuera l'eau pratiquement immédiate-

ment. Si la ligne de suction est au-dessus du niveau d'eau à pomper, quelques minutes s'écouleront avant que le boîtier se remplisse et se vide par la suite. Si la conduite d'aspiration est très longue, la pompe pourrait surchauffer avant que l'eau de la ligne de suction n'arrive à la pompe. Le cas échéant, arrêter la pompe et vidanger le boîtier. Attendre quelques minutes pour que le joint de la pompe se refroidisse. **MISE EN GARDE :** Si le boîtier « surchauffé » se remplit pendant qu'il est chaud, le joint subira des dommages. Replaces alors le bouchon et remplissez le carter d'eau de nouveau.

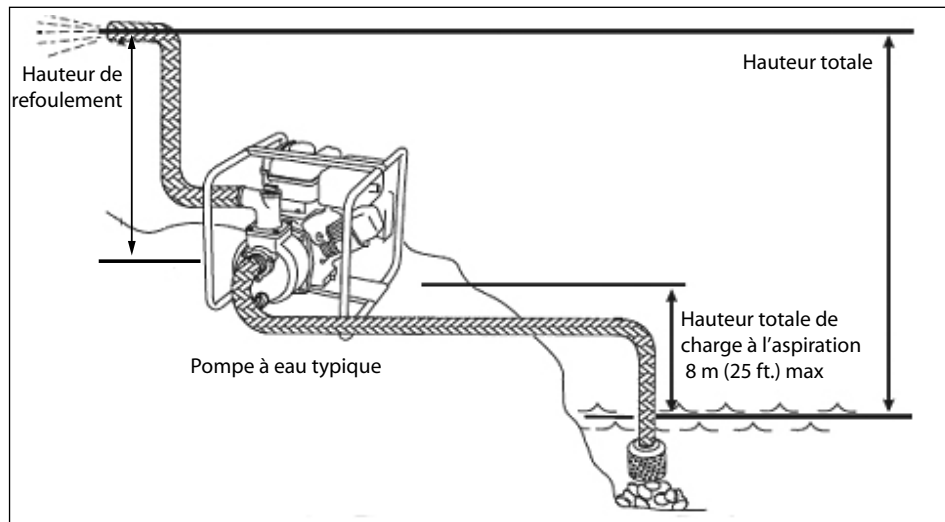


FIGURE 1

## GUIDE DE DÉPANNAGE

PROBLÈMES	CAUSES PROBABLES	SOLUTIONS
<b>La pompe ne fonctionne pas</b>	Fuite d'air dans la conduite d'aspiration.	S'assurer que les joints du tuyau d'aspiration ont un double collier de serrage, que les colliers sont bien serrés, que les raccords ont été garnis de produits pour étanchéité et qu'ils sont serrés, que le tuyau n'est ni ébréché ni coupé.
	Les conduites d'aspiration et/ou de refoulement peuvent être bloquées, ou les clapets sont fermés, défectueux ou bloqués.	Vérifier si les conduites et les clapets sont en bon état de fonctionnement.
	The end of the suction line is not submerged.	Increase its length, or move pump closer to source of liquid.
	L'extrémité de la conduite d'aspiration n'est	Augmenter sa longueur, ou rapprocher la pompe de pas immergée. la source de liquide à pomper.
<b>La pompe ne s'amorce</b>	La hauteur géométrique d'aspiration est trop élevée (*1).	Rapprocher la pompe de la source de liquide à pomper.
<b>L'amorçage est très long</b>	La conduite d'aspiration est très longue.	Consulter le paragraphe « Démarrage » de la section « Fonctionnement ».
	Il y a des poches d'air ou des fuites dans la conduite d'aspiration.	Vérifier si les raccords de la conduite sont serrés.
<b>Le rendement de la pompe est inférieur au rendement prévu.</b>	Le débit est limité : a) accumulation de débris. b) soupapes défectueuses ou semi-ouvertes. c) le diamètre des tuyaux ou des boyaux utilisés est plus petit que celui des orifices de la pompe.	a) Nettoyer les conduites et les raccords. b) Vérifier si les soupapes sont en bon état de fonctionnement. c) Augmenter le diamètre des tuyaux ou des boyaux afin de réduire les pertes dues au frottement.
	L'extrémité de la conduite d'aspiration n'est pas suffisamment immergée.	Il faut immerger l'extrémité de la conduite d'aspiration.
	La roue de turbine est trop usée (*2).	Remplacer la roue de turbine.
	Le joint est endommagé (*3). Du liquide s'écoule du centre de l'adaptateur.	Remplacer le joint.
	Il y a des poches d'air ou des fuites dans la conduite d'aspiration.	Vérifier la conduite d'aspiration.
	La roue de turbine est obstruée.	Enlever le boîtier pour le nettoyer.
<b>La pompe se désamorce.</b>	Le niveau de liquide est inférieur à l'extrémité de la conduite d'aspiration.	Augmenter la longueur de la conduite d'aspiration ou rapprocher la pompe de la source de liquide à pomper.
<b>La pompe ne démarre pas</b>	Pas de carburant	Ajouter du carburant
	Bougie d'allumage défectueuse	Remplacer la bougie d'allumage
<b>La pompe ne démarre pas ou a des ratés</b>	Faible niveau d'huile	Remplir le carter du moteur au niveau qui convient. Placer la pompe sur une surface plane et de niveau.
	L'étrangleur est dans la mauvaise position	Ajuster l'étrangleur
	Câble de bougie d'allumage desserré	Fixer le câble à la bougie
<b>La pompe s'arrête subitement</b>	Pas de carburant	Ajouter du carburant
	Faible niveau d'huile	Remplir le carter du moteur au niveau qui convient. Placer la pompe sur une surface plane et de niveau.

\*1) Pour pomper à une hauteur excessive, tenir compte de :

- a) Le diamètre et la longueur du tuyau.
- b) Les raccords de tuyauterie.
- c) L'élévation au-dessus du niveau de la mer.

En considérant tous les facteurs ci-dessus, nous recommandons que la hauteur de pression d'aspiration totale ne dépasse pas 25 pi.

\*2) L'usure excessive de la roue de turbine est principalement due à la « cavitation ». Un certain nombre de situations peuvent entraîner la cavitation. Exemples :

a) L'aspiration est limitée

b) La hauteur géométrique d'aspiration est trop élevée.

\*3) Le joint peut être endommagé pour les raisons suivantes

a) Usure normale

b) Surchauffe

c) Pompage de produits chimiques pour lesquels le joint n'est pas conçu.

Contactez un centre de service autorisé pour obtenir de l'aide supplémentaire.

## ENTRETIEN

a) **MOTEUR** : Pour les exigences d'entretien du moteur, consulter les directives du fabricant.

b) **VIDANGE** : Si la pompe est exposée au gel, vidanger la pompe en enlevant les bouchons de vidange et d'amorçage. Quand l'eau a été vidangée, faites fonctionner la pompe pendant quelques secondes

pour évacuer l'eau résiduelle du carter. S'assurer également que les conduites d'aspiration et de refoulement sont vides.

### AVERTISSEMENT :

Garder la pompe dans un endroit aéré, loin de la chaleur, de flammes ou d'étincelles.



## GARANTIE LIMITÉE

Lors des requêtes en garantie, la marque de Red Lion (ci-après appelée « la Marque ») garantit les produits spécifiés dans cette garantie contre tout défaut de matériaux et de main-d'oeuvre. Pendant les périodes couvertes par la garantie et selon les conditions indiquées dans la présente, la Marque réparera ou remplacera toute partie de ce produit présentant une défaillance liée aux matériaux ou à la main-d'oeuvre, et ce uniquement auprès du premier utilisateur ou acheteur. En tout temps, la Marque conserve le droit et l'option de déterminer si un équipement, des pièces ou des composants défectueux doivent être réparés ou remplacés. La Marque peut inspecter tout produit sous garantie qui lui est retourné afin de confirmer que la garantie s'applique, avant d'approuver la réparation ou le remplacement. Cette garantie stipule l'unique obligation de la Marque et le recours exclusif de l'acheteur pour un produit défectueux. Retourner le produit défectueux au détaillant pour les requêtes en garantie.

**PÉRIODE DE GARANTIE – PRODUITS :** 12 mois à partir de la date d'achat par l'utilisateur. (Aucune garantie n'est offerte pour les balais, le rotor ou la came sur les modèles avec moteur à balais et/ou rotor flexible à palettes.) En l'absence d'une preuve adéquate de la date d'achat, la période d'application commencera à partir de la date de fabrication.

**PÉRIODE DE GARANTIE – SYSTÈME DE CONTRÔLE DES ÉMISSIONS :** 24 mois à compter de la date d'achat par l'utilisateur. Veuillez vous référer au manuel de l'utilisateur du fabricant de moteur pour plus de détails concernant la garantie du système de contrôle des émissions (Garantie ECS (SCE)).

**COÛTS DE MAIN-D'OEUVRE, ETC. :** EN AUCUN CAS la Marque ne pourra être tenue responsable du coût de la main-d'oeuvre ou d'autres frais encourus par un client lors de la dépose et/ou de la réparation d'un produit, d'une partie ou d'un composant.

**AMÉLIORATIONS DU PRODUIT :** La Marque se réserve le droit de modifier ou d'améliorer ses produits, ou une quelconque de leur partie, sans obligation de fournir une telle modification ou amélioration aux appareils déjà vendus et/ou expédiés avant que de telles modifications ou améliorations n'aient été apportées.

**CONDITIONS ET MODALITÉS GÉNÉRALES :** Cette garantie ne couvre pas les dommages causés par une catastrophe naturelle, l'usure normale, la foudre ou des conditions hors du contrôle de la Marque; et elle ne couvre pas non plus les services d'entretien normaux et aux pièces usées associés à un tel service, ni les produits qui, selon le jugement exclusif de la Marque, ont été exposés à la négligence, l'abus, un accident, une application inappropriée, une altération, une modification; ni aux dommages causés par une installation, une utilisation, un entretien ou un entreposage inadéquat; ni à une utilisation au-delà des maximums recommandés, comme il est indiqué dans les instructions.

La garantie est NULLE si l'une des conditions suivantes s'applique :

1. Le produit est utilisé pour des applications autres que celles pour lesquelles il a été conçu et fabriqué.
2. Le produit n'est pas installé dans le respect des codes et règlements applicables et selon les bonnes pratiques acceptées dans l'industrie.
3. Le produit a été branché à une tension autre que celle indiquée sur la plaque signalétique.
4. La pompe a été utilisée avec des liquides autres que de l'eau douce approximativement à la température ambiante.
5. La pompe a fonctionné à sec (alimentation en liquide coupée).
6. Le carter moteur scellé a été ouvert ou le produit a été démonté par le client.
7. Le cordon a été coupé à une longueur inférieure à 0,9 m (3 pieds).

**AVIS DE NON-RESPONSABILITÉ :** Toute déclaration verbale portant sur le produit, faite par le vendeur, la Marque, les représentants ou toute autre partie ne constitue pas une garantie et ne peut être considérée par l'utilisateur comme faisant partie du contrat de vente. La seule obligation du vendeur ou de la Marque et le seul recours de l'acheteur est le remplacement et/ou la réparation du produit par la Marque, comme il est décrit ci-dessus. LE VENDEUR OU LA MARQUE NE PEUT ÊTRE TENU RESPONSABLE POUR TOUTE BLESSURE, PERTE OU DOMMAGE DIRECT, INDIRECT OU CONSÉCUTIF (INCLUANT MAIS SANS S'Y LIMITER LES DOMMAGES INDIRECTS OU CONSÉCUTIFS LIÉS À UNE PERTE DE PROFITS, UNE PERTE DE VENTES, DES BLESSURES OU DES DOMMAGES MATÉRIELS, OU TOUT AUTRE INCIDENT OU PERTE CONSÉCUTIVE), RÉSULTANT DE L'UTILISATION OU DE L'IMPOSSIBILITÉ D'UTILISER LE PRODUIT; DE PLUS, L'UTILISATEUR ACCEPTE QU'AUCUN AUTRE RECOURS N'EST DISPONIBLE. Avant de commencer à utiliser le produit, l'utilisateur doit déterminer si ce produit est adapté à l'usage prévu; et l'utilisateur assume tous les risques et toutes les responsabilités qui sont liés à cette utilisation. LA GARANTIE ET LES MESURES CORRECTIVES DÉCRITES DANS LA PRÉSENTE GARANTIE LIMITÉE CONSTITUENT UNE GARANTIE ET DES MESURES CORRECTIVES EXCLUSIVES EN LIEU ET PLACE DE TOUTE AUTRE GARANTIE ET MESURE CORRECTIVE, EXPRESSE OU IMPLICITE; ET TOUTE AUTRE GARANTIE ET MESURE CORRECTIVE EST EXPRESSÉMENT EXCLUE, INCLUANT, MAIS SANS S'Y LIMITER, TOUTE GARANTIE IMPLICITE DE QUALITÉ MARCHANDE OU D'ADAPTATION À UN USAGE PARTICULIER. Certaines juridictions et certains pays interdisent les exclusions ou les limitations de durée d'une garantie implicite ou l'exclusion ou la limitation des dommages indirects ou consécutifs; les limitations ou exclusions ci-dessus pourraient donc ne pas s'appliquer à votre cas. Cette garantie vous donne des droits légaux spécifiques et vous pourriez également jouir d'autres droits qui varient selon la juridiction ou le pays.

### United States:

301 North MacArthur Boulevard  
Oklahoma City, Oklahoma 73127

### Canada:

#101 - 310 De Baets Street  
Winnipeg, Manitoba  
R2J 0H4

Phone: (800) 621-7264

Fax: (204) 255-5214

E-mail: [wts-orders@fele.com](mailto:wts-orders@fele.com)

[www.redlionproducts.com](http://www.redlionproducts.com)

**RED LION**



### ! ADVERTENCIAS DE SEGURIDAD



**LEA ESTE MANUAL Y SIGA TODAS LAS REGLAS DE SEGURIDAD ANTES DE INSTALAR U OPERAR ESTA BOMBA.**

**! ADVERTENCIA:** Lea cuidadosamente estos mensajes de seguridad en este manual y en la bomba.

**! ATENCIÓN: A LAS COMPAÑÍAS DE ALQUILER Y LOS PROPIETARIOS PARTICULARES QUE ALQUILAN O PRESTAN ESTA BOMBA DE AGUA A TERCEROS!**

Todas las personas a quienes alquile o preste esta bomba deben tener acceso a este manual del propietario y leerlo. Conserve este manual junto a la bomba en todo momento y recomiende leerlo a todas las personas que hagan funcionar la bomba. También debe proporcionar instrucción personal sobre cómo operar con seguridad la bomba, y debe estar disponible para responder cualquier pregunta que pudiera tener quien la alquile o a quien la preste.

**! ADVERTENCIA:** Cuando está en funcionamiento, el motor de esta bomba produce monóxido de carbono, un gas tóxico que es inodoro e incoloro. Respirar monóxido de carbono puede provocar náuseas, desmayos o la muerte.

- Opere esta bomba **SÓLO** al aire libre.
- Evite que el gas emitido ingrese en un área cerrada a través de ventanas, puertas, tomas de ventilación u otras aberturas.



- No haga funcionar la bomba dentro de ningún edificio, área cerrada o recintos tales como sótanos, garajes o lugares similares, aunque estén abiertas las puertas y las ventanas.
- Asegúrese que todas las conexiones están bien ajustadas.
- Nunca la use con líquidos inflamables.
- Apague el motor antes de darle servicio.
- Si se derrama combustible, evite el crear una fuente de encendido hasta que se hayan limpiado y eliminado los vapores del combustible.
- Revise las instrucciones antes de hacerla funcionar.
- Use protectores de oídos para reducir la bulla molesta

**! PRECAUCIÓN: ¡NO HAGA FUNCIONAR LA BOMBA EN SECO!**

### APLICACIÓN

Utilice esas bombas solamente para agua, donde la succión vertical desde el nivel del líquido sea 25 pies (7.6 m) o menos. La altura se refiere a la altura de la columna de agua que puede producir la descarga de la bomba. Altura de succión (o elevación de succión) es la distancia vertical entre el centro de la bomba y la superficie del líquido en el lado de succión de la bomba. Altura de descarga es la distancia vertical entre la salida de descarga de la bomba y el punto de descarga. Altura total es la suma de la altura de succión y la altura de descarga. Se debe tomar en

consideración la altura sobre el nivel del mar y las pérdidas por fricción. **PRECAUCIÓN: No haga funcionar esta bomba en seco. Se requiere solo agua para lubricar la junta de la bomba.** Esta bomba ha sido probada y hecha funcionar bajo condiciones reales de trabajo. El motor, la bomba y todos los acoplamientos fueron encontrados en estado satisfactorio. Si la unidad de bombeo no funciona como se especifica, revise cuidadosamente la guía de instalación y la tabla para solucionar problemas.

### INSTALACIÓN

- UBICACIÓN:** Para una instalación permanente, ponga la bomba en un lugar limpio, seco y ventilado. **Mantenga la línea de succión lo más corta posible.** El mantenimiento de la longitud de la cañería lo más corta posible, permitirá que la bomba funcione al máximo de su eficiencia y también asegurar que la carcasa no se recaliente debido a la ausencia de agua (Figura 1).
  - INSTALACIÓN:** Instale la bomba sobre unos cimientos rígidos para eliminar su movimiento por la vibración.
  - LÍNEA DE SUCCIÓN:** Use una línea de succión del mismo tamaño que la succión de la bomba. Si la tubería de succión es larga, aumente por un tamaño para mejorar el flujo. Incline la tubería de succión hacia arriba para evitar bolsas de aire en la misma y un cargado difícil.
  - TUBERÍA DE SUCCIÓN:** Utilice un compuesto para rosca en todas las uniones de las tuberías. Las conexiones deben estar bien ajustadas. Se recomienda se utilice tuberías limpias y sin corrosión.
  - MANGUERA DE SUCCIÓN:** Si la línea de succión está básicamente vertical, utilice un codo en la manguera para evitar que se doble. Utilice abrazaderas dobles en todas las uniones de mangueras. Las conexiones deben estar bien ajustadas. Se requiere el uso de una malla para el filtrado del material abrasivo.
- NOTA:** Si usa la bomba para remover agua, instale una válvula de chequeo en la línea de succión.
- NOTA:** La mayoría de problemas de bombeo es una fuga en la línea de succión. Aún una fuga muy pequeña reduce enormemente el cargado y bombeo.

## FUNCIONAMIENTO

**⚠ PRECAUCIÓN: NO OPERAR LA BOMBA ANTES DE CARGARLA, EL SELLO Y EL PROPULSOR PODRÍAN DAÑARSE PERMANENTEMENTE.**

- a) **CÓMO PREPARAR EL MOTOR:** Siga las instrucciones del fabricante antes de hacerla funcionar.
- b) **CÓMO CARGAR LA BOMBA:** Extraiga el tapón de cebado y llene la carcasa con agua hasta completar. Vuelva a colocar el tapón. Si la bomba se encuentra por debajo del nivel del agua que deberá ser bombeada (succión por anegamiento), la bomba se llenará automáticamente cuando se abran las válvulas.

**⚠ PRECAUCIÓN: ¡NO HAGA FUNCIONAR LA BOMBA EN SECO!**

- c) **ENCENDIDO:** Prenda la bomba. En la situación de “succión inundada”, la bomba descargará el agua casi inmediatamente. Si la cañería de succión se encuentra por encima del nivel del agua que

será bombeada, tomará unos minutos para llevar el agua al cuerpo de la bomba y descargarla. Si la línea de succión es muy larga, la bomba podrá recalentarse debido a que el agua dentro de la cañería de succión está alcanzando la bomba. En este caso apague la bomba y drene el cuerpo de la bomba. Espere unos minutos para que se enfríen el sello en el cuerpo de la bomba. **PRECAUCIÓN:** Si se llena el cuerpo de la bomba mientras éste está “recalentado”, se puede dañar el sello. Coloque luego el tapón y llene la carcasa con agua. Vuelva a colocar el tapón de cargado y encienda la bomba nuevamente.

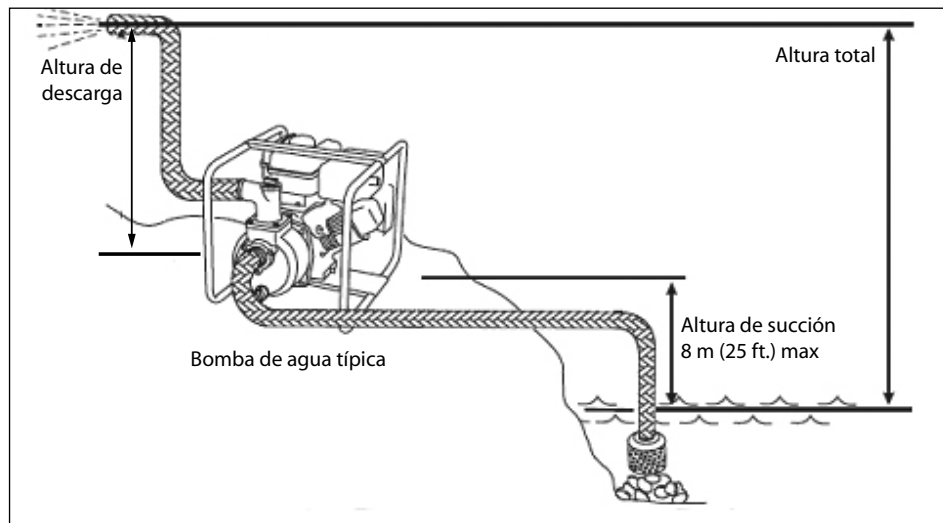


FIGURA 1

## TABLA PARA SOLUCIONAR PROBLEMAS

PROBLEMAS	CAUSAS	SOLUCIONES
<b>La bomba no bombea</b>	Hay fuga de aire en la línea de succión.	Asegúrese que la manguera de succión esté con doble abrazaderas en las uniones, que estén bien ajustadas, que los acoplamientos tengan compuesto en las roscas y que estén bien ajustados, que no haya doblez ni cortes en la manguera.
	Las línea(s) de succión y/o descarga pueden estar bloqueadas, o la válvula(s) puede estar cerrada(s), falladas y/o bloqueadas.	Asegúrese que las líneas y válvulas estén en buenas condiciones de funcionamiento.
	El extremo de la línea de succión no está	Aumente el largo, o coloque la bomba más cerca de la sumergido. fuente del líquido.
	La elevación total es demasiada para esta bomba.	Reduzca la elevación total o use una bomba con mayor elevación.
<b>La bomba no mantiene la carga</b>	La altura de succión es demasiada (*1).	Coloque la bomba más cerca de la fuente del líquido.
<b>El cargado toma mucho tiempo</b>	La línea de succión es muy larga.	Vea la sección de "Encendido" bajo Funcionamiento.
	Hay bolsas de aire o fugas en la línea de succión.	Vea que no haya conexiones flojas en la línea.
<b>La bomba no funciona tan bien como debería</b>	El flujo está restringido debido a: a) Acumulación de desperdicios. b) Válvula(s) fallada o semi abierta c) Las tuberías/mangueras usadas son más pequeñas que el tamaño de rosca de la bomba.	a) Limpie las líneas y los acoplamientos. b) Asegúrese que las válvulas estén funcionando bien. c) Aumente el tamaño de la tubería/manguera para reducir la pérdida por fricción.
	El extremo de la línea de succión no está sumergida lo suficiente.	El extremo de la línea de succión debe estar sumergido.
	El propulsor está excesivamente gastado (*2).	Reemplace el propulsor.
	El sello está dañado (*3). Habrá fuga de líquido por el medio del adaptador.	Reemplace el sello.
	Hay bolsas de aire o fugas en la línea de succión.	Revise la línea de succión.
	Propulsor atorado.	Quite el cuerpo de la bomba para limpiar.
<b>La bomba pierde la carga</b>	El nivel del líquido baja por debajo del extremo de la línea de succión.	Aumente el largo de la línea de succión o coloque la bomba más cerca de la fuente del líquido.
<b>La bomba no arranca.</b>	No tiene combustible.	Agregue combustible.
	Bujía de encendido defectuosa.	Reemplace la bujía de encendido.
<b>La bomba no arranca, o arranca pero anda mal.</b>	Bajo nivel de aceite.	Llene el cárter hasta el nivel adecuado. Coloque la bomba sobre una superficie plana y nivelada.
	Obturador en posición incorrecta.	Ajuste el obturador.
	Cable de bujía de encendido suelto.	Conecte el cable a la bujía de encendido.
<b>La bomba se apaga durante el funcionamiento.</b>	No tiene combustible.	Agregue combustible.
	Bajo nivel de aceite.	Llene el cárter hasta el nivel adecuado. Coloque la bomba sobre una superficie plana y nivelada.

\*1) La altura de succión excesiva debe tener en cuenta:

- a) El tamaño y largo de la tubería
- b) Acoplamientos de la tubería
- c) Elevación sobre el nivel del mar

Incluyendo todo lo anterior, recomendamos que el total de la altura de succión total no exceda los 25 pies.

\*2) Un propulsor excesivamente desgastado es causado principalmente por cavitación, lo cual puede ser causado por un número de situaciones. Ejemplos:

- a) Succión restringida
- b) Altura de succión excesiva

\*3) El sello puede estar dañado debido a:

- a) Desgaste normal
- b) Recalentamiento
- c) Bombeo de químicos para los que el sello no está diseñado

Póngase en contacto con un almacén de servicio autorizado para obtener más ayuda.

## MANTENIMIENTO

- a) **MOTOR:** Vea en las instrucciones del fabricante cualquier requerimiento de mantenimiento.
- b) **DRENAJE:** Si la bomba va a estar expuesta a temperaturas congelantes, drene la bomba quitando los tapones de drenaje y de cargado. Una vez que el agua ha sido drenada, haga funcionar la bomba durante unos segundos a fin de extraer el agua que

se encuentra dentro de la carcasa. Asegúrese que las líneas de succión y descarga estén sin líquido.

### **ADVERTENCIA:**

Mantenga la bomba en un área ventilada, lejos del calor, llamas o chispas.

## GARANTÍA LIMITADA

Para consideraciones de la garantía, la marca de Red Lion (denominada de ahora en adelante "la Marca"), garantiza que los productos especificados en esta garantía están libres de defectos en los materiales y en la mano de obra de la Marca. Durante el período, y sujeto a los términos estipulados en este documento, la Marca reparará o reemplazará al cliente o usuario original cualquier parte del producto que presente defectos materiales o de fabricación atribuibles a la Marca. En todo momento, la Marca tendrá y poseerá el único derecho y opción de determinar si repara o reemplaza el equipo, piezas o componentes defectuosos. La Marca tiene la opción de inspeccionar cualquier product devuelto bajo los términos de la garantía para confirmar que esté cubierto por la garantía antes aprobar la reparación o reemplazo según la garantía. Esta garantía constituye la única obligación de la Marca y es el único recurso que tiene el cliente si el product tiene defectos. Devuelva el producto defectuoso al sitio de compra para que sea considerado bajo la garantía.

**DURACIÓN DE LA GARANTÍA – PRODUCTOS:** 12 meses a partir de la fecha de compra por el cliente. (Los cepillos, el impulsor o la leva en los modelos con motor de cepillo y/o los impulsores de aletas flexibles no están cubiertos por la garantía.) En caso de que no exista un comprobante adecuado de la fecha de compra, el período efectivo de esta garantía comenzará a partir de la fecha de fabricación del producto.

**PERÍODO DE GARANTÍA – SISTEMA DE CONTROL DE EMISIONES:** 24 meses desde la fecha de compra por parte del usuario. Consulte el manual del propietario del fabricante del motor para obtener detalles sobre la garantía del sistema de control de emisiones (Garantía "ECS" por sus siglas en inglés).

**MANO DE OBRA Y OTROS COSTOS:** La Marca DE NINGUNA MANERA será responsable por el costo de la mano de obra en el campo u otros cargos en que incurra cualquier cliente al retirar y/o instalar algún producto, pieza o componente.

**MEJORAS AL PRODUCTO:** La Marca se reserva el derecho de cambiar o mejorar sus productos, o cualquier parte de los mismos, sin que por ello tenga la obligación de realizar dicho cambio o mejora en las unidades vendidas y/o despachadas con anterioridad.

**TÉRMINOS Y CONDICIONES GENERALES:** Esta garantía no tiene efecto si los daños se deben a fuerza mayor, desgaste por uso normal, servicios de mantenimiento normal y la piezas utilizadas para dicho servicio, rayos o condiciones que estén fuera del alcance de la Marca, como tampoco tendrá vigencia en aquellos productos que, a criterio exclusivo de la Marca, hayan sido sujetos a negligencia, maltrato, accidente, mal uso, manipulación indebida, alteración o instalación, funcionamiento, mantenimiento o almacenamiento indebidos, o si se sobrepasan los valores máximos recomendados, estipulados en estas instrucciones.

Esta garantía quedará ANULADA si se hallan cualesquiera de las siguientes condiciones:

1. El producto se utiliza para propósitos distintos a aquellos para los cuales fue diseñado y fabricado
2. El producto no fue instalado de conformidad con las normas, reglamentos y prácticas comerciales aceptadas
3. El producto se conecta a un voltaje distinto al que se indica en la placa de identificación
4. La bomba se utilizó con fluidos distintos al agua dulce a temperatura ambiente aproximadamente
5. La bomba funcionó sin líquido (se cortó el suministro de líquido)
6. El cliente abrió el alojamiento sellado del motor o desarmó el producto
7. El cable se cortó a un largo menor que 0,9 m (3 pies)

**EXENCIÓN DE RESPONSABILIDAD:** Toda afirmación verbal con respecto al producto, por parte del vendedor, la Marca, los representantes o cualquier otra parte, no constituye garantía alguna, no debe ser considerada como tal por el usuario y no forma parte del contrato de venta. La única obligación del vendedor y la Marca, y el único recurso del comprador, será el reemplazo y/o reparación que hará la Marca del producto, tal como se describió anteriormente. NI EL VENDEDOR NI LA MARCA SERÁN RESPONSABLES POR CUALQUIER LESIÓN, PÉRDIDA O DAÑO DIRECTO, INCIDENTAL O INDIRECTO (LO QUE INCLUYE, SIN LIMITACIÓN, DAÑOS INCIDENTALES O INDIRECTOS POR PÉRDIDA DE GANANCIAS, DE VENTAS, LESIONES PERSONALES O MATERIALES, O CUALQUIER OTRO DAÑO INCIDENTAL O INDIRECTO) QUE RESULTARA DEL USO O INCAPACIDAD DE USAR EL PRODUCTO, Y EL USUARIO ACUERDA QUE NO HAY NINGÚN OTRO RECURSO. Antes de usarlo, el usuario deberá determinar la idoneidad del producto para el uso propuesto y asumirá todos los riesgos y toda la responsabilidad que ello implique. LA GARANTÍA Y RECURSO DESCRITOS EN ESTA GARANTÍA LIMITADA REPRESENTAN UNA GARANTÍA Y RECURSO EXCLUSIVOS Y SE OFRECEN EN LUGAR DE CUALQUIER OTRA GARANTÍA O RECURSO, EXPLÍCITO O IMPLÍCITO. POR EL PRESENTE, SE EXCLUYEN EXPLÍCITAMENTE OTRAS GARANTÍAS Y RECURSOS, INCLUSO, PERO SIN LIMITARSE A CUALQUIER GARANTÍA IMPLÍCITA DE COMERCIALIZACIÓN O IDONEIDAD PARA UN PROPÓSITO ESPECÍFICO. EN LA MEDIDA EN QUE CORRESPONDA A UN PRODUCTO, LA GARANTÍA ESTARÁ LIMITADA EN DURACIÓN A LOS PERÍODOS DE LAS GARANTÍAS EXPRESAS DESCRITAS ANTERIORMENTE. Algunos estados y países no permiten la exclusión o las limitaciones sobre la duración de las garantías implícitas ni la exclusión o limitación de responsabilidades por daños incidentales o indirectos, por lo que puede que las exclusiones o limitaciones anteriores no correspondan en su caso particular. Esta garantía le otorga a usted derechos legales específicos y es posible que usted también tenga otros derechos que varían según el estado o país.

### United States:

301 North MacArthur Boulevard  
Oklahoma City, Oklahoma 73127

### Canada:

#101 - 310 De Baets Street  
Winnipeg, Manitoba  
R2J 0H4

Phone: (800) 621-7264

Fax: (204) 255-5214

E-mail: [wts-orders@fele.com](mailto:wts-orders@fele.com)

[www.redlionproducts.com](http://www.redlionproducts.com)

**RED LION**

















