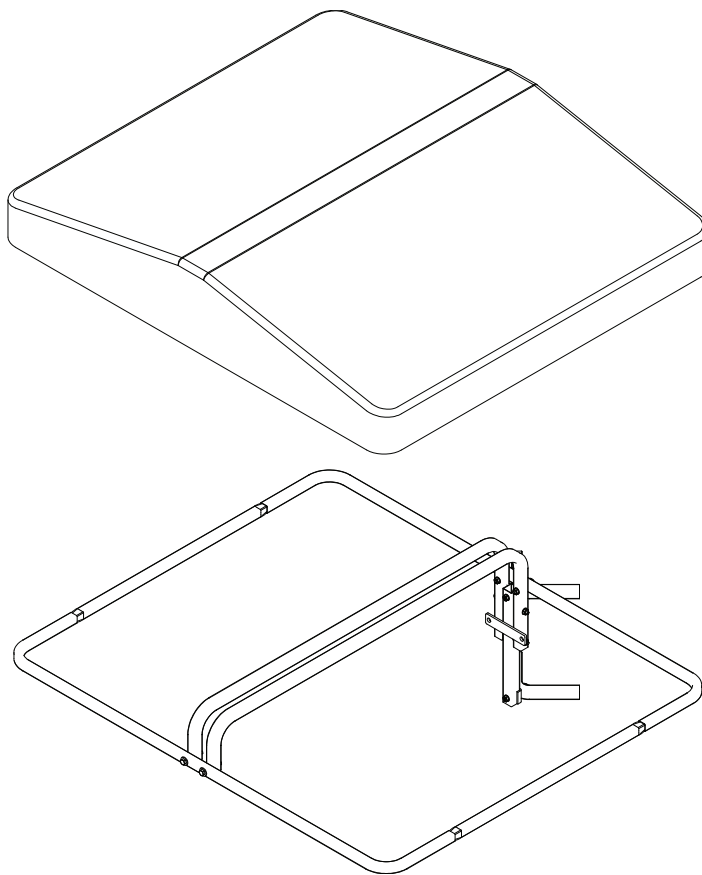




INSTRUCTIONS
Universal Treestand Canopy Model RE750



HuntRiversEdge.com

OMRE75009
Rev. 12/09/08
© 2009 Rivers Edge Treestands, Inc.
All Rights Reserved.

Universal Treestand Canopy (RE750)

Rivers Edge Treestand Canopy's are engineered with you the hunter in mind. We appreciate your purchase of one of our world class canopy's. Follow these few simple instructions and your canopy will provide you many years of trouble-free pleasure. Instructions should be kept in a safe place and reviewed at least annually.

If for any reason you have a problem with your product, **DO NOT return to the retailer**, contact the Rivers Edge customer service department at 800-450-EDGE (3343) for assistance.

ASSEMBLY INSTRUCTIONS

Tools needed – two 7/16" wrenches

IMPORTANT ASSEMBLY TIP: *Do not tighten any nut and bolt combinations completely until all parts are assembled together! Finger tighten plus one turn of a wrench only! This will temporarily hold the lock nut on the bolt while helping alignment of all parts! After all parts are assembled together, all nut & bolt combinations must be completely tightened.*

1. Insert the (2) rim spanners (A716) into the (2) roof rims (A715). This will form the canopy rim. **SEE FIGURE 1.**
2. Attach the center roof braces (A717) to the inside of assembled canopy rim using (4) provided 1/4-20 x 2" bolts, locknuts and 1/4" washers. **SEE FIGURE 1. DO NOT tighten all nut & bolt assemblies completely!**
3. Attach the center tree brace (A718) in between the center roof braces using (2) provided 1/4-20 x 3-1/2" bolts, locknuts and (6) 1/4" washers. **SEE FIGURE 2.**
4. Attach the (2) tree huggers (SS12) to the center tree brace using (2) provided 1/4-20 x 2-1/4" bolts, locknuts, 1/4" washers and 5/16" washers. **SEE FIGURE 3. You must now tighten all nut & bolt assemblies. Be sure not to over tighten or crush tubing when tightening!**
5. Attach the removable camo roof (48835) to the top of canopy frame by stretching bungee cord around metal frame. Black side should be on top and camo underneath facing the ground.

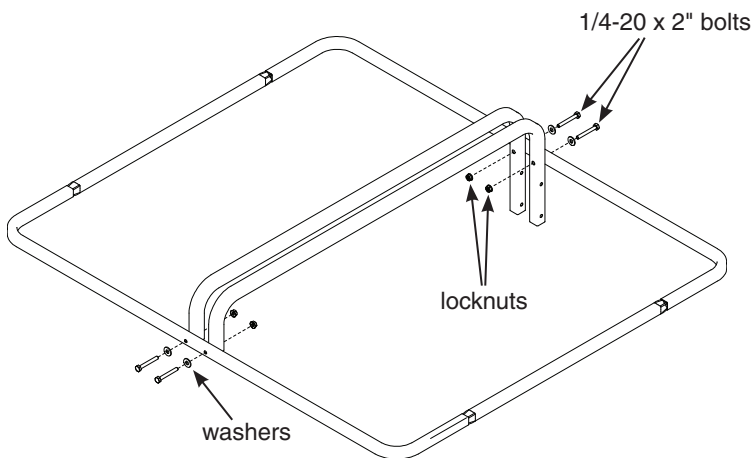


FIGURE 1

WARNING

READ, UNDERSTAND AND FOLLOW ALL ASSEMBLY, INSPECTION, MAINTENANCE & USE INSTRUCTIONS PROVIDED BEFORE EACH USE. FAILURE TO FOLLOW ALL WARNINGS AND INSTRUCTIONS COULD RESULT IN SERIOUS INJURY OR DEATH.

ALL ASSEMBLY MUST BE DONE IN THIS ORDER AT GROUND LEVEL BEFORE USE.

DO NOT CRUSH TUBING WHEN TIGHTENING BOLT ASSEMBLIES! IDENTIFY AND FAMILIARIZE YOURSELF WITH ALL PARTS BEFORE YOU START. A BOLT IDENTIFICATION CHART CAN BE FOUND IN THE BACK.

BE SURE SECTIONS ARE SEATED COMPLETELY TOGETHER ON SWEDGED ENDS OF PIPE.

DOUBLE CHECK ASSEMBLY STEPS TO BE CERTAIN YOU HAVE CORRECTLY ASSEMBLED THIS PRODUCT.

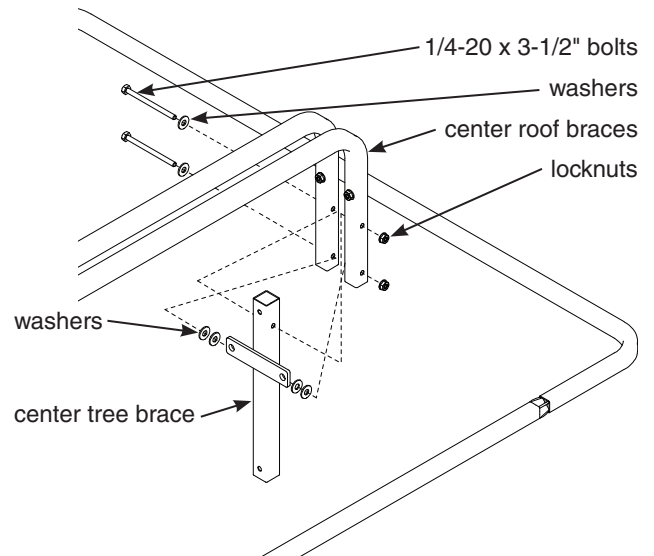


FIGURE 2

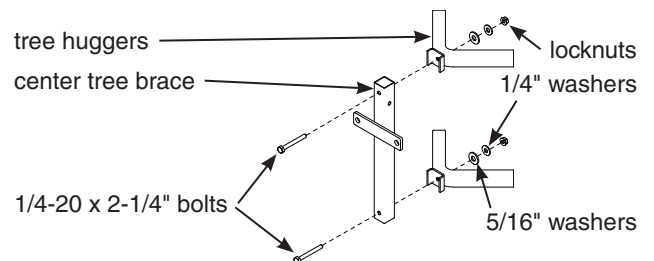


FIGURE 3

Universal Treestand Canopy (RE750)

USE INSTRUCTIONS

1. Standing on treestand with ratchet strap now in hand, hook "S" hook with long strap through hole provided on center roof brace bracket. Feed the long strap through the center (slot) of ratcheting mechanism and back around through tightening lever. **SEE FIGURES 4 & 5.**

NOTE: Be sure you feed the long strap correctly so there are no twists in the strap.

Wrap entire ratchet assembly around tree and hook other "S" hook through opposite bracket hole. Pull tail of long strap until most of the slack is taken out. Be sure entire strap is even and at the same level all around tree. "Ratchet" tight to tree, this will securely attach ladder to tree and prevent movement. **SEE FIGURES 4 & 6.**

NOTE: To release ratchet, simply pull the release lever and open tightening lever wide open (flat).

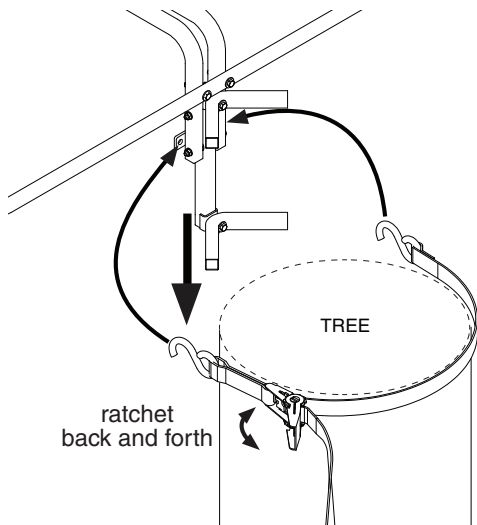


FIGURE 4

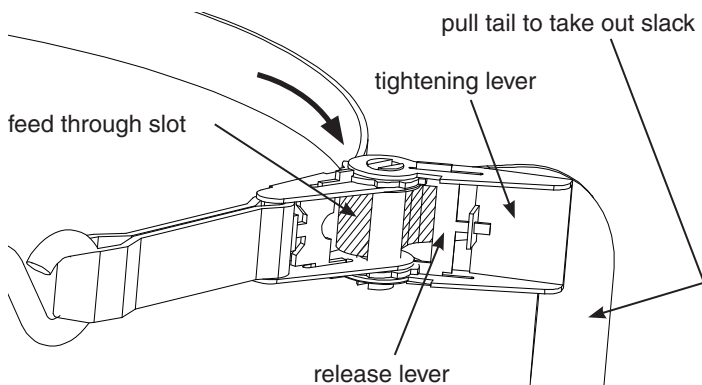


FIGURE 5

! WARNING

STUDY YOUR NEW CANOPY TO BECOME FAMILIAR WITH ALL OF ITS FEATURES AND DESIGN. PRACTICE USING THIS PRODUCT AT GROUND LEVEL BEFORE ATTACHING OVERHEAD. FOLLOWING PROVIDED USE INSTRUCTIONS, PRACTICE ATTACHING CANOPY TO TREE AND REMOVING CANOPY FROM TREE.

NEVER ATTACH CANOPY TO A DEAD, ODD-SHAPED, LEANING, DISEASED LOOSE-BARKED TREES OR UTILITY POLES.

BRING RATCHETED STRAP UP WITH YOU IN A POCKET- DO NOT CARRY IN YOUR HANDS!

DO NOT ALLOW EXCESSIVE STRAP BUILDUP IN RATCHET AS THIS WILL PREVENT THE RATCHET TEETH FROM ENGAGING CAUSING SLIPPAGE.

ALWAYS ATTACH RATCHET STRAP SECURELY WHILE USING THIS PRODUCT.

YOU MUST ATTACH YOUR FULL BODY HARNESS (FALL ARREST SYSTEM) TO THE TREE BEFORE SECURING CANOPY TO THE TREE.

! UV WARNING

ULTRAVIOLET LIGHT BREAKS DOWN LIGHTWEIGHT FABRIC FIBERS. THE MATERIAL WILL FADE, LOSE STRENGTH AND EVENTUALLY DISINTEGRATE IF LEFT IN PROLONGED SUNLIGHT. TO EXTEND THE LIFE OF YOUR CANOPY, AVOID LEAVING IT OUT IN DIRECT SUNLIGHT FOR EXTENDED PERIODS OF TIME. SET-UP IN A SHADY AREAS WHENEVER POSSIBLE. FADING OR DISCOLORING OF BLIND IS NOT COVERED UNDER YOUR WARRANTY.

NEVER LEAVE THE CANOPY ATTACHED TO TREE WITH THE CAMO ROOF ATTACHED, DAMAGE FROM WIND WILL OCCUR. IF CANOPY FRAME WILL BE LEFT ON THE TREE WHILE NOT HUNTING, ALWAYS REMOVE THE CAMO ROOF SO DAMAGE DOES NOT OCCUR.

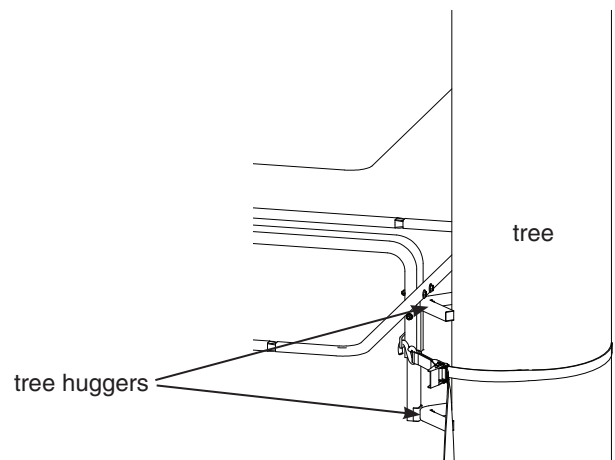


FIGURE 6

Universal Treestand Canopy (RE750)

ALWAYS...

- Be physically fit, mentally alert, and well rested before using this product.
- Read, understand and follow all warnings and instructions before use and save for future reference
- Recommended for adult use only.
- Inspect canopy for missing parts, all hardware condition, and damage before every application, replace if necessary.
- Remove canopy after every use, store product indoors.
- Use only Rivers Edge original replacement parts.
- Always inform someone of the hunting location, where you will be located and the expected duration of the hunt.
- Carry a signal device such as a mobile phone, radio, whistle, signal flare or personal locator device (PLD) and it must be readily available at all times.
- Inspect the canopy and all safety devices each time before use and do not store a canopy outdoors when not in use.

NEVER...

- Sleep in a treestand
- Attach to a dead, odd-shaped, leaning, diseased, loose barked trees or utility poles.
- Use on trees with a diameter smaller than 8 inches or no larger than 20 inches.
- Use a canopy or treestand during inclement weather such as rain, lightning, windstorms or icy conditions and end your hunt and return to the ground if inclement conditions arise.
- Alter the original design of your canopy.
- Jump on or use in a careless manner.
- Use when intoxicated or using over-the-counter medication or prescription drugs.
- Use a damaged product, replace with new.
- Loan your canopy to someone else.
- Use a canopy or treestand when feeling ill, nauseous or dizzy, or if you have a prior medical condition that could cause a problem, i.e., heart condition, joints that lock-up, spinal fusion, etc. or if you are not well rested.

WARNING

PERFORM THESE TASKS BEFORE EACH AND EVERY USE. (REPLACE ANY QUESTIONABLE COMPONENTS IMMEDIATELY WITH RIVERS EDGE ORIGINAL REPLACEMENT PARTS.)

INSTRUCTIONS SHOULD BE KEPT IN A SAFE PLACE AND REVIEWED AT LEAST ANNUALLY.

REPLACE ANY AND ALL TREESTAND STRAPS EVERY TWO YEARS OR WHEN ANY SIGNS OF DAMAGE OR WEAR EXIST BEFORE.

NEVER USE ANY PRODUCT THAT HAS NOT BEEN MAINTAINED OR INSPECTED PROPERLY - YOUR LIFE DEPENDS ON IT!

BE SURE TO RAISE AND LOWER YOUR WEAPON WITH A HAUL LINE. GUN BARREL END OR ARROW TIPS MUST BE POINTED DOWN-AWAY FROM YOU.

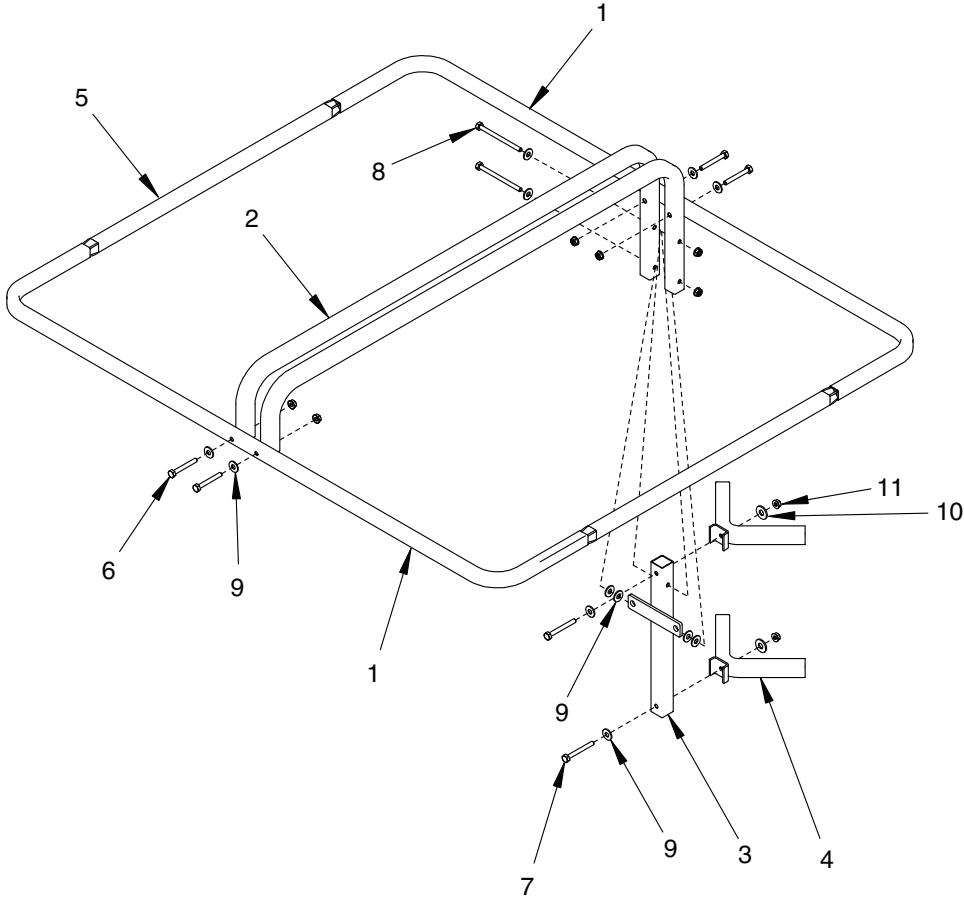
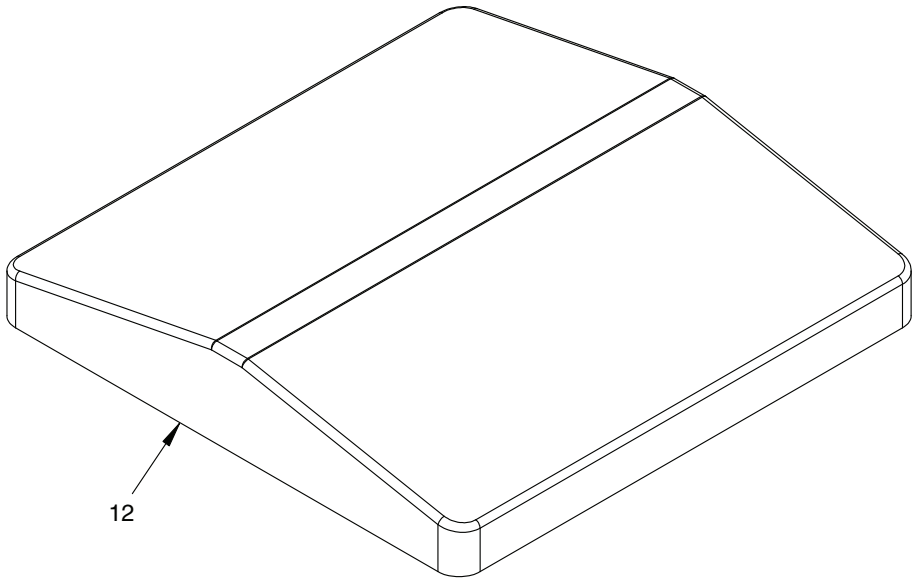
WHEN HUNTING FROM A TREESTAND, FALLS CAN OCCUR ANY TIME AFTER LEAVING THE GROUND CAUSING INJURY OR DEATH.

INSPECTION AND MAINTENANCE SCHEDULE

FOR ALL RIVERS EDGE PRODUCTS

- Inspect all webbing, rope, cord, and strap assemblies for wear or damage.
- Inspect cables and cable ends for damage or kinking.
- Inspect all hardware and chain components for damage.
- Inspect for any structural damage to product. (Return to factory for repair or discard product if any damage is found.)
- Inspect all nut and bolt assemblies to be certain none are loose.
- Inspect for any missing parts.
- Lubricate all pivot and slide together points with powder graphite to prevent noise, wear, and rust.
- Inspect entire product for any rust, corrosion, cracks, freezing, excessive heat, or rotting damage that may effect the safety of your product. Discard any questionable product.
- Inspect entire product for any structural damage - pay close attention to all weld locations. (Return to factory for repair or discard product if any damage is found.)
- Using correct wrenches inspect all nut & bolt assembly locations and snug up any that may be loose. Be careful not to crush tubing when tightening!
- Inspect and check operation of all cables, cable ends, cord, rope, webbing, and strap or chain assemblies. Replace with factory new any item or assembly that shows signs of wear, damage, kinking, or functions incorrectly.
- Inspect seat. Replace any seat with factory new that shows signs of structural damage or wear.
- Inspect all hardware for wear or damage, also be sure you have no missing parts.
- Never modify your stand in any way by making repairs, replacing parts, or altering adding or attaching anything to it except if explicitly authorized in writing by the manufacturer.

CANOPY PARTS

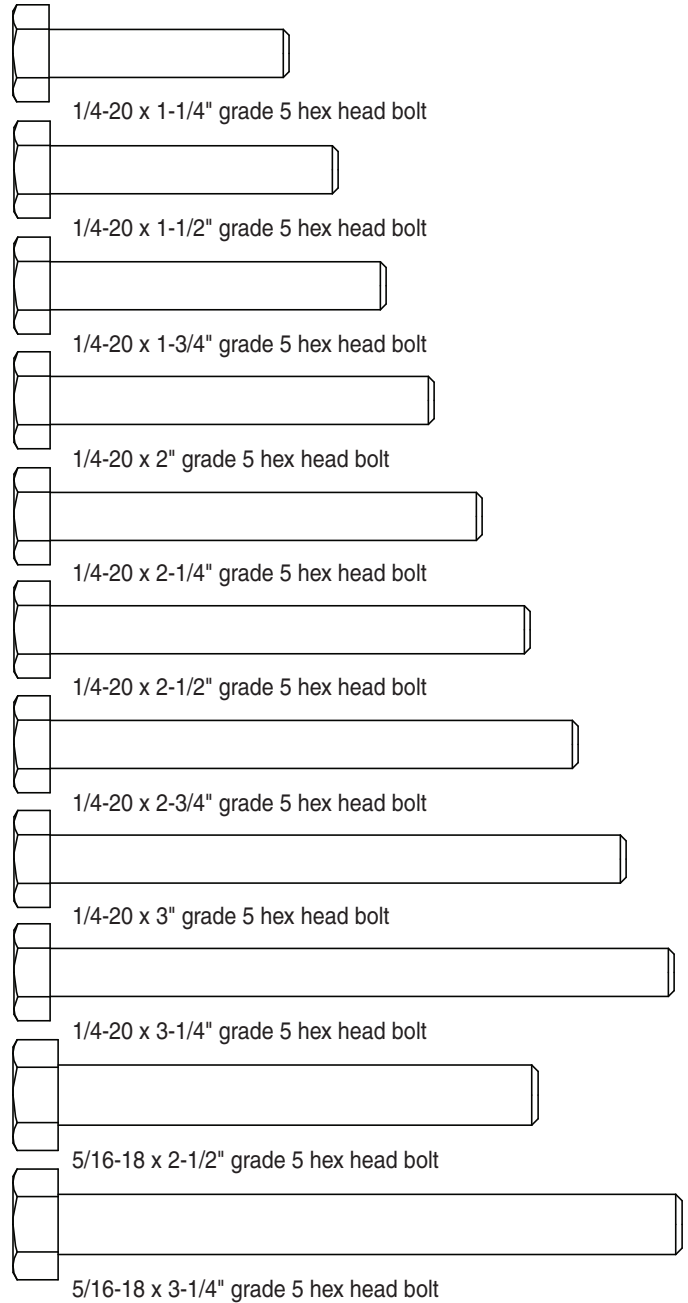


CANOPY PARTS

KEY #	PART #	DESCRIPTION	QTY.
1	A715	RIM, ROOF	2
2	A717	BRACE, CENTER ROOF	2
3	A718	BRACE, CENTER TREE ROOF	1
4	SS12	TREE HUGGER, BOLT-ON	2
5	A716	RIM, SPANNER	2
6	48153B	BOLT 1/4-20 X 2" HH BLK ZN	4
7	48271B	BOLT 1/4-20 X 2-1/4" HH BLK ZN	2
8	48301B	BOLT 1/4-20 X 3-1/2" HH BLK ZN	2
9	48261B	WASHER 1/4" FLAT BLK ZN	12
10	WF516B	WASHER 5/16" FLAT BLK ZN	2
11	48752B	NUT 1/4-20 FLANGE TOP LOCK BLK ZN	8
12	48835	CANOPY	1
--	48415	RATCHET STRAP	1

BOLT IDENTIFICATION CHART

Not all bolt sizes shown are included with all treestands. Bolts shown are for size reference only. Extra hardware may be included in the parts bag.



REPLACEMENT PARTS

ITEM #	DESCRIPTION	MSRP*
48006	Patch Kit, Fall Camo	\$9.99
48835	Canopy, Scan Complete	\$29.99
48415	Ratchet Strap	\$9.99

* Price shown do not include shipping & handling charges.

All prices are subject to change without notice. When ordering from manufacturer, there is a \$10.00 minimum order.

For replacement parts, phone 1-800-450-EDGE (3343) or
go online to www.HuntRiversEdge.com.

WARRANTY

Rivers Edge Treestands, Inc., offers a lifetime warranty to be free from defects in materials and workmanship. This warranty applies to the original owner with a proof of purchase. All items attached to our stands (seat, strap, rope, wood, etc.) that are degradable are warranted for a period of one year. There is no warranty on paint. This warranty applies to products that are not modified, abused or misused in a manner that deviates from the products intended usage. Rivers Edge Treestands offers no other warranty expressed or implied nor is to be held liable for any damage that may result from any defect in a treestand manufactured by them. Warranty work must be sent directly to Rivers Edge Treestands and performed by them. **To obtain warranty service and/or replacement instructions, you must have prior approval from Rivers Edge Treestands before shipping your package to us by calling our customer service department at 800-450-EDGE (3343) or by writing to: Rivers Edge Treestands, Inc., P.O. Box 755, 1690 Elm Street, Cumberland, WI 54829 for a return material authorization number (RMA#).** All items must be shipped prepaid. Rivers Edge Treestands will at no charge, repair or replace, at their discretion, any defective stand which falls under the conditions stated above. Rivers Edge Treestands retains the right to change models, specifications and price without notice.

This equipment has been manufactured under strict quality guidelines. As with any equipment of this type, full understanding of the instructions and its use is mandatory for the safety of its user. Rivers Edge Treestands, Inc., is not responsible for any damages or injuries sustained due to improper use or modification of any of its products, or due to any use which deviates from the products intended usage. The manufacturer also is not responsible for any injuries sustained due to failure to adhere to the instructions for use. Any misunderstanding of its operation should be directed to manufacturer prior to its use.

Owner is responsible to check product field rating and must never exceed maximum weight rating stated. Rivers Edge Treestands, Inc., is not responsible for any malfunction due to normal wear and tear and/or damage caused by improper use, improper maintenance or accidents. This product if used safely as intended, will give you years of trouble free service. We hope you will enjoy the quality of our products for years to come, and have a safe hunt.

For replacement parts, phone 800-450-EDGE (3343) or go online to www.HuntRiversEdge.com.



Rivers Edge Treestands, Inc.
1690 Elm Street; P.O. Box 755
Cumberland, Wisconsin 54829
800-450-EDGE (3343) · Fax (715) 822-2124
E-mail: info@huntriversedge.com



HuntRiversEdge.com